

MGT undercut

THE INVISIBLE GLASS FACADE FIXING SYSTEM



MGT

MAYER GLASTECHNIK

Competence in glass

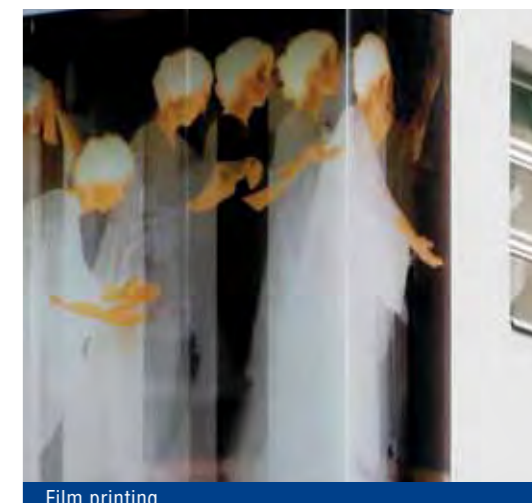
elegance

WITH INVISIBLE FIXING POINTS

Whether photovoltaics, coloured glass, screen printing (based on your own CI) or innovative structured glass – the MGT glass facade programme leaves all options open. Completely new and aesthetically pleasing solutions are made possible through the invisible undercut fixtures from MGT in combination with special substructure from Gasser Fassadentechnik. This results in architectural designs with great innovative potential.



Film printing



Film printing



Screen printing



Entrance to the premises of Hilti AG



design

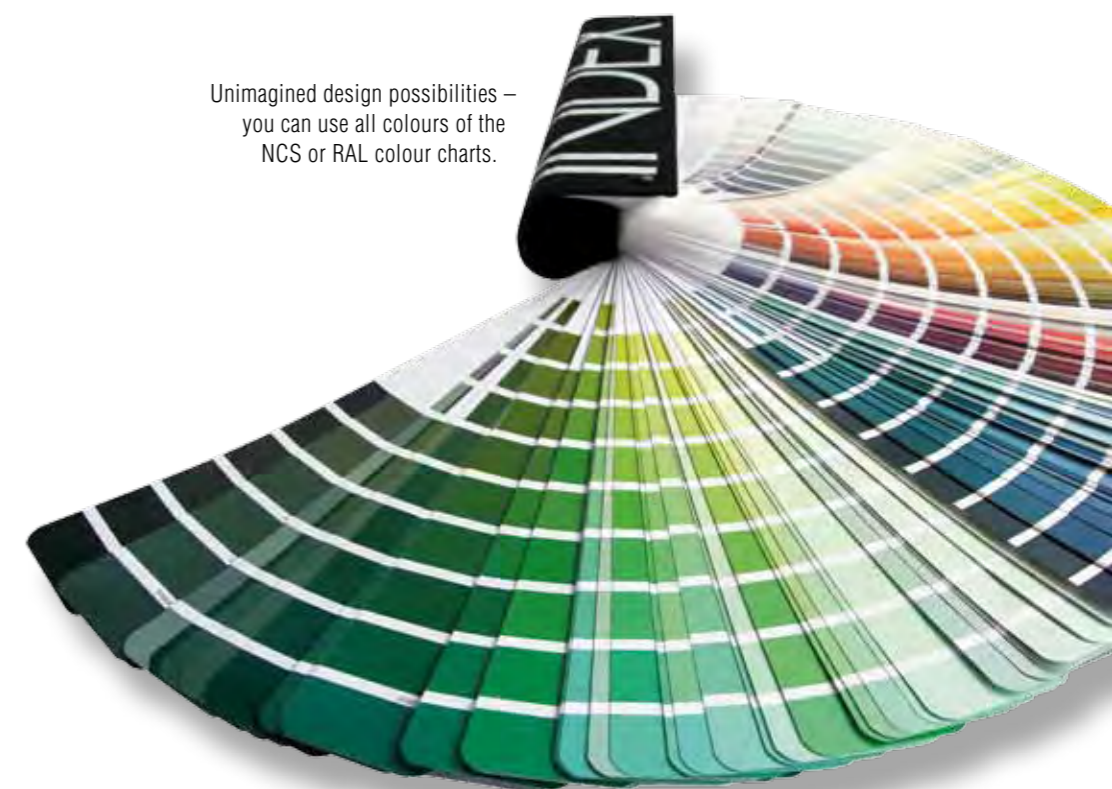
GLASS ENHANCES THE DESIGN POSSIBILITIES

Whether a detached house, an office or an industrial facade – any size of glass panel can be aesthetically shown off to its best using invisible fixing points. These new possibilities offer every architect great scope for exciting innovative designs. A multitude of colours, additionally solar panels as well as panels with different surfaces – where creativity is concerned, the sky's the limit. The ease of planning using simple design tools, special subframes combined with the undercut fixing system and the comprehensive support through our facade and glass specialists are further arguments for an aesthetic masterpiece.

Glass curtain walling:

- Timelessly beautiful
- Low maintenance
- Keeps its value for decades
- UV-resistant colours
- Easy production of replacement panels
- Easy disposal

Unimagined design possibilities –
you can use all colours of the
NCS or RAL colour charts.





ecological

SOLAR PANELS AS DESIGN ELEMENTS

Photovoltaic facades have so far failed to gain acceptance on aesthetic grounds. With solar modules tailored individually to each building and with invisible undercut fixing technology, design and ecology can be brought into perfect harmony. Mono-crystalline, multi-crystalline or transparent solar cells make it possible to combine ecological construction with modern design and innovative architectural trends.



Holiday accommodation in Laax, Switzerland



Solar module



Solar module

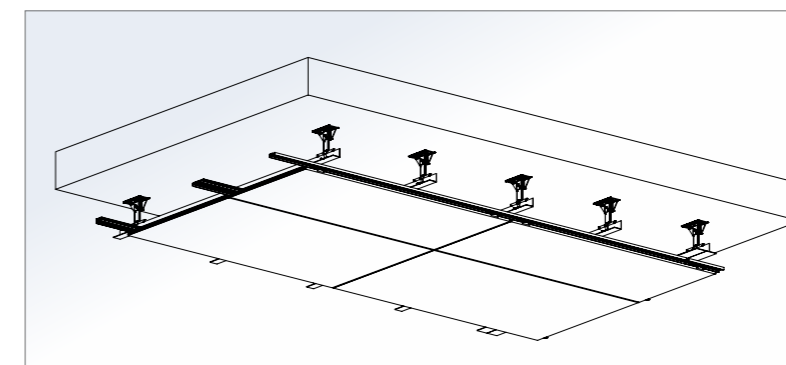
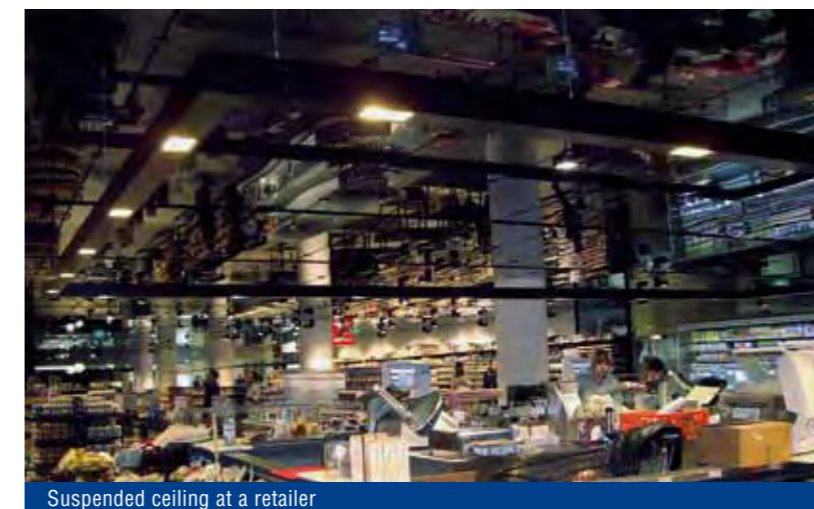


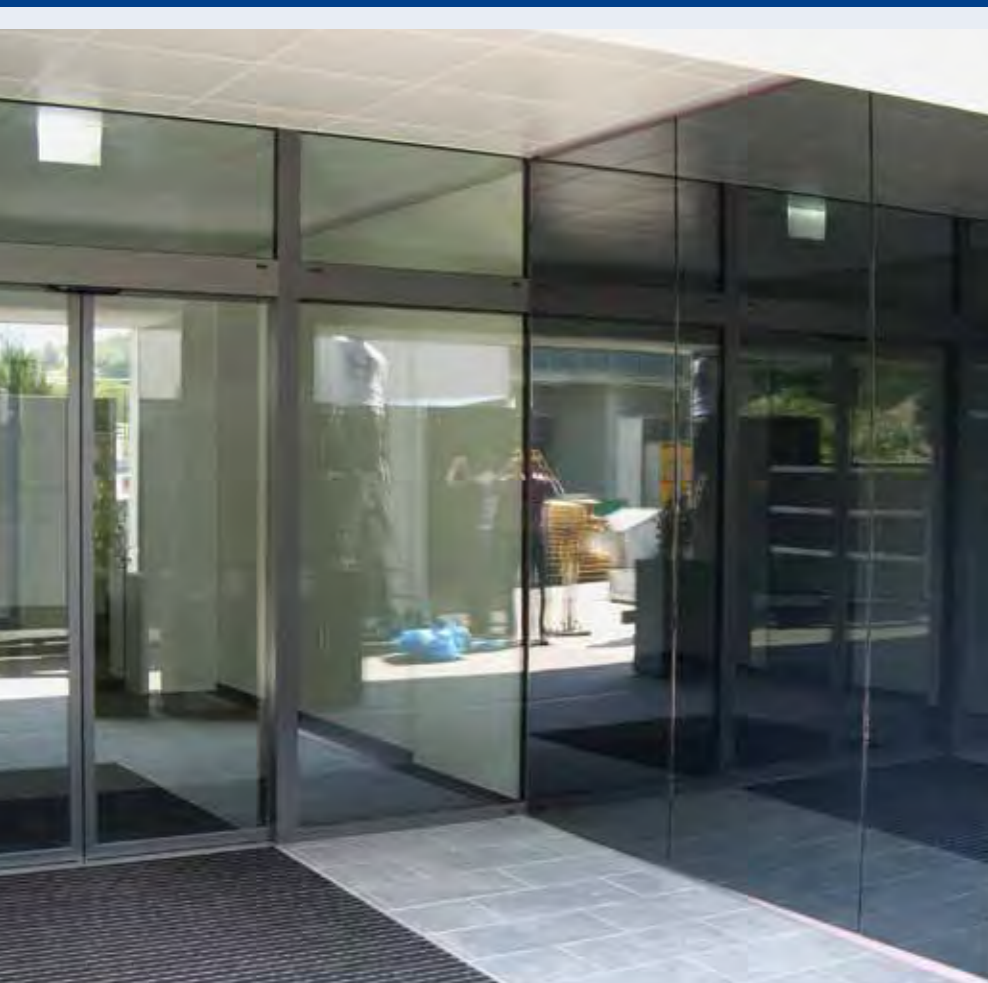
quality

PROVEN TECHNOLOGY – DOWN TO THE LAST DETAIL

Your advantages at a glance:

- No visible fixing elements
- Made of toughened safety glass
- Mechanically secured
- No dirt from external fixing elements
- Possibility to fine-tune the joint width
- Professional curtain walling system
- Easy planning and installation
- Easy replacement of individual panels
- Possibility of using photovoltaic panels
- Ideal for suspended ceilings
- Panels delivered ready for installation
- Systematic testing
- Possibility of thermal isolation from the building



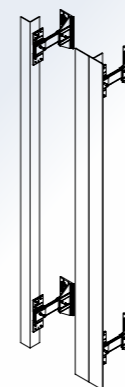


assembly

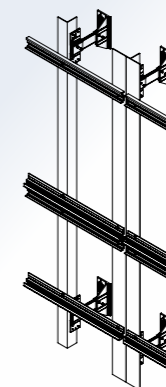
SEVEN STEPS TO YOUR FACADE



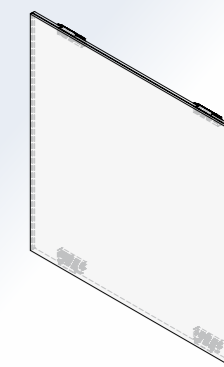
1 Panel mounting on the subframe with fixtures spaced according to the structural requirements of the building. Glass facades can also be designed to be thermally isolated from the substructure.



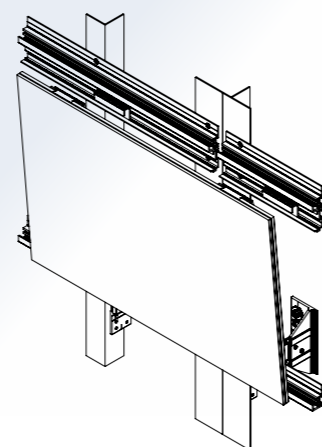
2 Vertical profile assembly in the panel. At the same time designed to take account of construction tolerances.



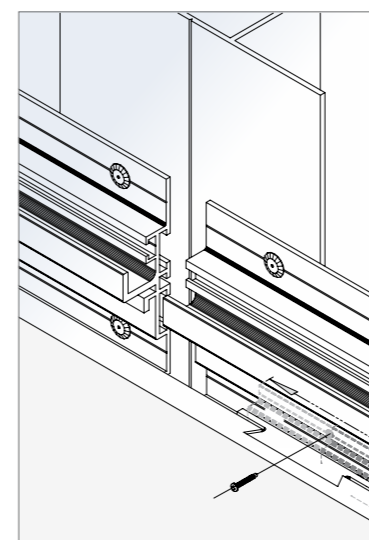
3 Fixing of the horizontal profiles depends on the size of the glass panel.



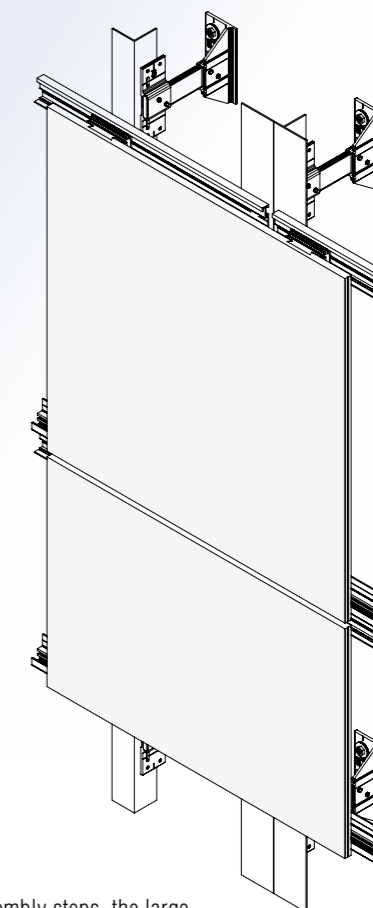
4 The glass elements are delivered to the site ready for installation with pre-assembled glass anchors invisible from the outside. No time required for pre-assembly or dimensional adjustment on site! Mechanical support locking is also built in.



5 The sophisticated system permits easy, practical handling during installation. Simple, straightforward and fast!



6 The sliding part is threaded in from the side and fixed in place. This system allows for subsequent adjustments.



7 In just a few easy assembly steps, the large-scale glass facade is fully installed without any visible fixtures. An aesthetically homogeneous surface!

COMPETENCE IN GLASS – FOR BUILDING FACADES AND INTERIORS

BÜCKFELD.CH



MGT
MAYER GLASTECHNIK

Competence in glass

WWW.MGT.AT

ANY MORE QUESTIONS? JUST GIVE US A CALL. WE WILL BE HAPPY TO ADVISE YOU!

MGT MAYER GLASTECHNIK GMBH . AM BREITEN WASEN 17 . A 6800 FELDKIRCH . T +43 5522/72822 . F +43 5522/72822-36 . MGT@MGT.AT . WWW.MGT.AT
MGT PHOTOVOLTAIK-UNDISOLIERGLASSYSTEME GMBH . ESPENSTR. 137 . CH9443 WIDNAU . T +41 71/7221616 . FDW-17 . INFORMATION@MGT-ISO.CH . WWW.MGT-ISO.CH
MGT ESYS GMBH . AM BREITEN WASEN 17 . A6800 FELDKIRCH . T +435522/72822 . F +435522/72822-36 . INFO@MGT-ESYS.AT . WWW.MGT-ESYS.AT

01 / 2013

